



**SHELCO
FILTERS**

BF Series

Single Bag Housings: #1, #2, #3 and #4 sizes

Shelco® BF series bag housings are manufactured of 304L or 316L stainless steel and carbon steel. Designed for 150 PSI (10 bar) and for temperatures to 300°F. Protective poly coat over stainless steel is standard finish. Positive hold down spring and adjustable stainless leg assembly are standard features on the #1 and #2 size housings.



Features #1 and #2 size

- Stainless Steel or Carbon Steel construction
- 150 PSI rated design
- Band clamp or swing bolt lid closures
- Stainless steel compression spring included
- Adjustable Stainless Steel leg assembly
- 2" FNPT, side inlet and bottom outlet
- All housings come standard with Buna O-rings
- ¼" NPT gauge ports clean and dirty side
- ¼" NPT vent in head with ½" NPT bottom drain
- 1/8" Perf stainless steel basket

Features #3 and #4 size

- 316 Stainless Steel construction
- 150 PSI rated design
- Clamp closures
- ¾", 1" or 1 ½" FNPT inlet and outlet
- Side inlet and bottom outlet
- Standard with Buna O-rings
- ¼" NPT vent port in lid
- 1/8" Perf stainless steel basket

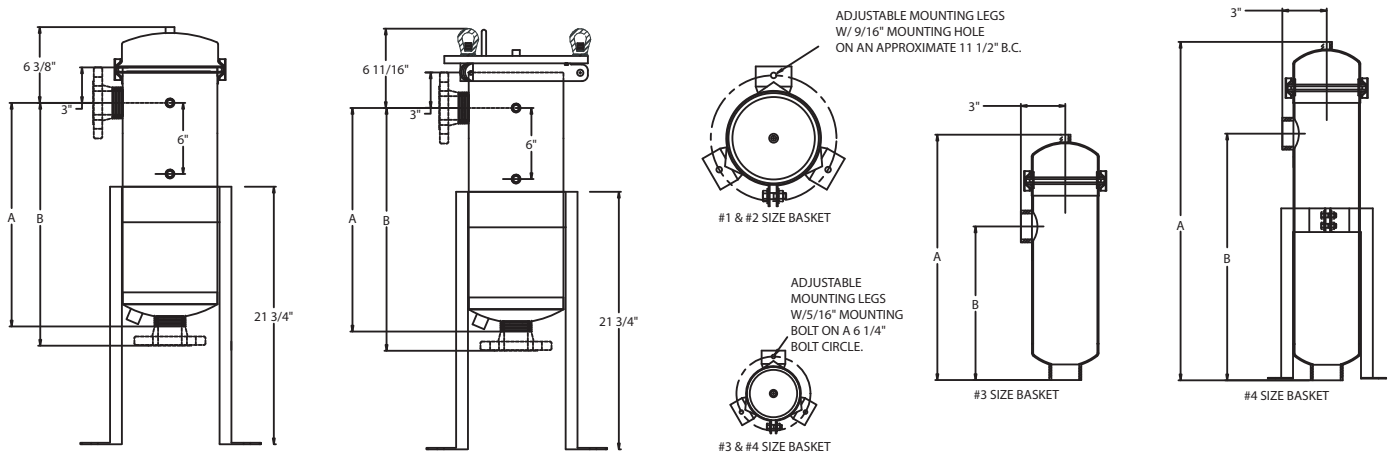
Standard Design Specifications

| Model | Closure | Bag Size | Flow Rate Gpm* | Std Pipe Size† | Drain | Vent | Shipping Weight | Clamp | Box Size | Shipping Weight SB | Box Size Swing Bolt |
|--------|---------------------|----------|----------------|----------------|----------|----------|-----------------|----------|----------|--------------------|---------------------|
| BFS-3C | Clamp | #3 | 30 | 1.5" FNPT | — | 1/4" NPT | 10 lbs | 7x7x18 | — | — | — |
| BFS-4C | Clamp | #4 | 60 | 1.5" FNPT | — | 1/4" NPT | 14 lbs | 7x7x28 | — | — | — |
| BFS-1 | Clamp or Swing Bolt | #1 | 100 | 2" FNPT | 1/2" NPT | 1/4" NPT | 43 lbs | 18x18x38 | 73 lbs | 18x18x42 | 18x18x42 |
| BFS-2 | Clamp or Swing Bolt | #2 | 180 | 2" FNPT | 1/2" NPT | 1/4" NPT | 53 lbs | 18x18x45 | 83 lbs | 18x18x50 | 18x18x50 |
| BFC-1 | Clamp or Swing Bolt | #1 | 100 | 2" FNPT | 1/2" NPT | 1/4" NPT | 45 lbs | 18x18x38 | 73 lbs | 18x18x42 | 18x18x42 |
| BFC-2 | Clamp or Swing Bolt | #2 | 180 | 2" FNPT | 1/2" NPT | 1/4" NPT | 55 lbs | 18x18x45 | 83 lbs | 18x18x50 | 18x18x50 |

* Flow rates are for guide lines only, actual flow rates are based on fluid, viscosity, Bag type, micron ratings and other factors. It is recommended if your flow rate is greater than 150 gpm that you increase your pipe size to 3" to reduce the pressure drop across the housing.

† Maximum inlet and outlet port size is 3" for the #1 and #2 size housings.

Dimensions



| MODEL | DIM. A | DIM. B |
|---------|---------|---------|
| #1 SIZE | 18 7/8" | 20 1/2" |
| #2 SIZE | 34 7/8" | 36 1/2" |

| MODEL | DIM. A | DIM. B |
|---------|----------|-----------|
| #3 SIZE | 16 9/16" | 10 3/8" |
| #4 SIZE | 22 7/8" | 16 11/16" |

ORDERING GUIDE #1 and #2 Sizes

| BFS | - | 2 | C | - | 2 | - | 316 | - | 2 | E |
|---------------------------------------------|---|----------------------|------------------------------|---|-------------------------------------------------------------------------|---|---------------------------------------------------------------------|---|------------------------------------------------------|--------------------------------------------------------------------|
| Product Code | | Size | Closure | | Connection | | Material Options | | Style | Gaskets |
| BFS = Stainless Steel BFC = Carbon Steel | | 1 = 7x18 2 = 7x32 | C = Clamp SB = Swing Bolt | | 2 = 2" FNPT 2F = 2" RFF 3 = 3" FNPT 3F = 3" RFF 2TC = 2" TC | | Blank = 304 316 = 316 SS 134 = *3M 134 Coating over 304 SS | | Blank = Side in, Bottom out 2 = Side in, Side out | Blank = Buna E = EPR S = Silicone V = Viton T = Teflon |

*Note: 134 coating must have swing bolt closure and flanged connections.

ORDERING GUIDE #3 and #4 Sizes

| BFS | - | 4 | C | - | 1 | - | 2 | E | |
|-----------------------|---|---------------------|-----------|---|----------------------------------------------------|---|----------------|----------------------------------------------------------------------------------------|--------------------------------------------------------------------|
| Product Code | | Size | Closure | | Connection | | Material | Style | Gaskets |
| BFS = Stainless Steel | | 3 = 4x8 4 = 4x14 | C = Clamp | | 75 = 3/4" FNPT 1 = 1" FNPT 1.5 = 1 1/2" FNPT | | Blank = 316 SS | Blank = Side in, Bottom out 2 = Side in, Side out (Hold down spring recommended) | Blank = Buna E = EPR S = Silicone V = Viton T = Teflon |

Options

- Coatings: 3M 134 coating for sea water and corrosive applications
- 10 mesh wire baskets or special mesh lined baskets
- Special porting arrangements (side in/side out)
- Specialty baskets to hold bulk carbon or resin
- Wide variety of connections; flanged, BSP, and sanitary ferrules
- Electro-polishing available
- Adjustable stainless legs and compression spring are available for the #3 and #4 size housings.



Complete line of bag filter media



Stainless steel basket, spring and leg assembly